

QWX27105 Product Brief

5-7 GHz Linear Wi-Fi 7 CMOS Front-End IC

Applications

- Wi-Fi 7 and Wi-Fi 8 systems
- Smartphones and other portable, rechargeable battery-operated devices
- Smart TV, set-top boxes, AR/VR headsets

Intelligent and Adaptive FEM Features

- PA architecture maintaining EVM performance over varying VSWR conditions
- Autonomous frequency tracking and calibration

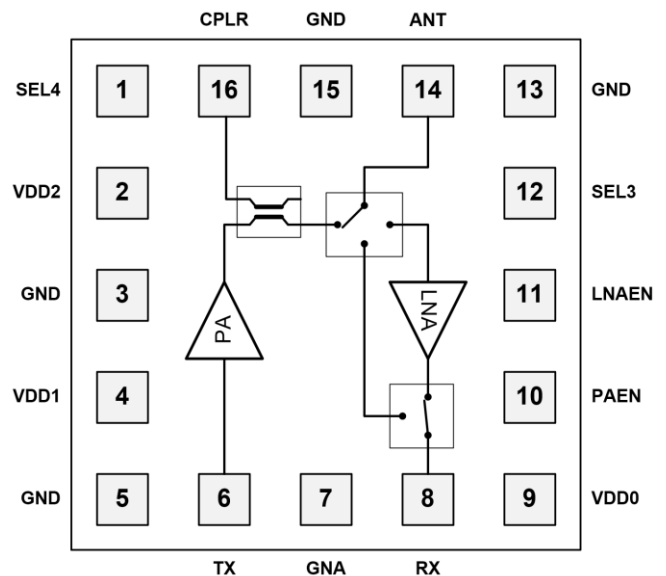
Features

- PA with superior linear output power and best-in-class power efficiency for Wi-Fi 7 and Wi-Fi 8 high data rate applications
- Monolithic die implementation in CMOS SOI ensures the smallest form factor
- LNA with high gain, low power and bypass modes
- Transmit with high power, mid power and low power modes

Key Specifications

- 5150 – 7125 MHz
- 3.8V supply voltage for PA and 1.8V supply voltage for LNA
- Transmit output power:
 - 23 dBm, HE20, MCS0, 3 dB SEM margin
 - 20 dBm, VHT80, -35 dB DEVM
 - 18 dBm, HE160, -42 dB DEVM
 - 16 dBm, EHT320, -43 dB DEVM
- Transmit gain: 31 dB (high gain mode)
- Current consumption:
 - 280 mA at 21 dBm output power
- Noise figure: 1.8 dB
- Receive gain: 15 dB

Functional Block Diagram



16-pin LGA 2x2 mm

Description

The QuantalRF QWX27105 is a highly integrated monolithic front-end IC designed for high performance Wireless Local Area Network (WLAN) applications supporting all standards up to Wi-Fi 7. It features a patent pending PA architecture providing superior power efficiency, a low loss single-pole, triple-throw (SP3T) switch and an LNA.

Support for Digital Pre-Distortion (DPD) is implemented for further improved EVM performance.

All RF ports are matched on-chip to 50 ohms to minimize the external components and application layout area.

The QWX27105 is fabricated as a monolithic die in CMOS SOI technology.

Pin Configuration and Description

Pin No.	Label	Description
1, 3, 5, 7, 13, 15	GND	Ground
2	VDD2	3.8 V supply
4	VDD1	3.8 V supply
9	VDD0	1.8 V supply for LNA
6	TX	RF PA input port
8	RX	RF LNA output port
1, 10, 11, 12	SEL4, PAEN, LNAEN, SEL3	Control signals
14	ANT	Bidirectional antenna port, matched to 50Ω
16	CPLR	TXRF coupler output port

RoHS Compliance

The part is compliant with the 2011/65/EU RoHS directive, as amended by Directive 2015/863/EU.

Contact Information

For the latest specifications, additional product information and support:

sales@quantalrf.com

Learn more at quantalrf.com

Disclaimer

Limited warranty and liability - Information in this document is believed to be accurate and reliable. However, QuantalRF does not give any representations or warranties, expressed or implied, as to the accuracy or completeness of such information and shall have no liability for the consequences of the use of such information.

Right to make changes - QuantalRF reserves the right to make changes to information published in this document, including without limitation specifications and product descriptions, at any time and without notice. This document supersedes and replaces all information supplied prior to the publication hereof.