

QWX27100 Product Brief

5-7 GHz Wi-Fi 6E/7 Front-End IC

Applications

- Wi-Fi 6E and Wi-Fi 7 systems
- Laptops, smart TVs and set-top boxes
- Access points, routers, gateways
- Modules for embedded systems

Features

- PA with superior linear output power and best-in-class power efficiency for Wi-Fi 7 high data rate applications
- Single-die implementation in CMOS SOI ensures smallest form factor
- LNA with bypass mode and industry leading current consumption
- High performance and low power transmit modes
- 16-pin LGA 2 mm x 2 mm or bare die with Cu pillars for flip chip assembly
- Directional coupler output
- On-chip filtering for enhanced coexistence performance

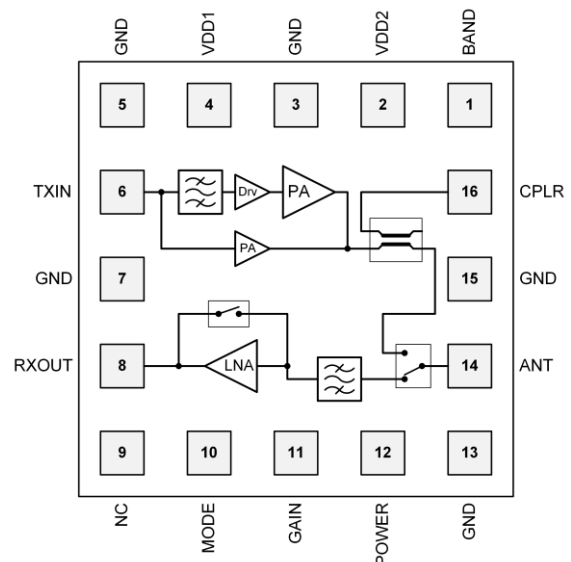
Key Specifications

- 5150 – 7125 MHz
- Single 3.3V supply voltage
- Noise figure: 2 dB
- Receive gain: 16 dB

Pout (dBm)	MCS	Ch. BW	EVM (dB)	Current cons. (mA)
21	6 Mbps	20	*	265
18	MCS9	80	-35	200
16.5	MCS11	160	-43	180
14.5	MCS13	320	-45	155

* 3 dB margin to spectrum mask

Functional Block Diagram



Pin description follows on the next page.

Description

The QuantalRF QWX27100 is a highly integrated single front-end IC designed for high performance Wireless Local Area Network (WLAN) applications supporting all standards up to Wi-Fi 7. It features a patent pending PA architecture providing superior power efficiency, a low loss single-pole, double-throw (SPDT) switch and an LNA.

Digital Pre-Distortion (DPD) is supported in both transmit modes for a further improved EVM performance.

All RF ports are matched on-chip to 50 ohms to minimize the external components and application layout area.

The QX27100 is fabricated as a single-die in CMOS SOI technology.

Pin Configuration and Description

Pin No.	Label	Description
1	BAND	Control signal for PA band selection
2, 4	VDD2	3.3V supply
3, 5, 7, 13, 15	GND	Ground
6	TXIN	RF PA input port
8	RXOUT	RF LNA output port
9	NC	No connect
10	MODE	Control signal, see truth table in the datasheet.
11	GAIN	Control signal, see truth table in the datasheet.
12	POWER	Control signal, see truth table in the datasheet.
14	ANT	Bidirectional antenna port, matched to 50Ω
16	CPLR	TXRF coupler output port

Handling Precautions

Proper caution must be exercised to prevent electrostatic (ESD) damage.

Parameter	Rating	Condition
HBM	2000 V	Human body model contact discharge per ANSI/ESDA/JEDEC JS-001-2014
CDM	500 V	Charged device model contact discharge per ANSI/ESDA/JEDEC JS-002-2014

RoHS Compliance

The part is compliant with the 2011/65/EU RoHS directive, as amended by Directive 2015/863/EU.

Contact Information

For the latest specifications, additional product information and support:

sales@quantalrf.com

Learn more at quantalrf.com

Disclaimer

Limited warranty and liability - Information in this document is believed to be accurate and reliable. However, QuantalRF does not give any representations or warranties, expressed or implied, as to the accuracy or completeness of such information and shall have no liability for the consequences of the use of such information.

Right to make changes - QuantalRF reserves the right to make changes to information published in this document, including without limitation specifications and product descriptions, at any time and without notice. This document supersedes and replaces all information supplied prior to the publication hereof.